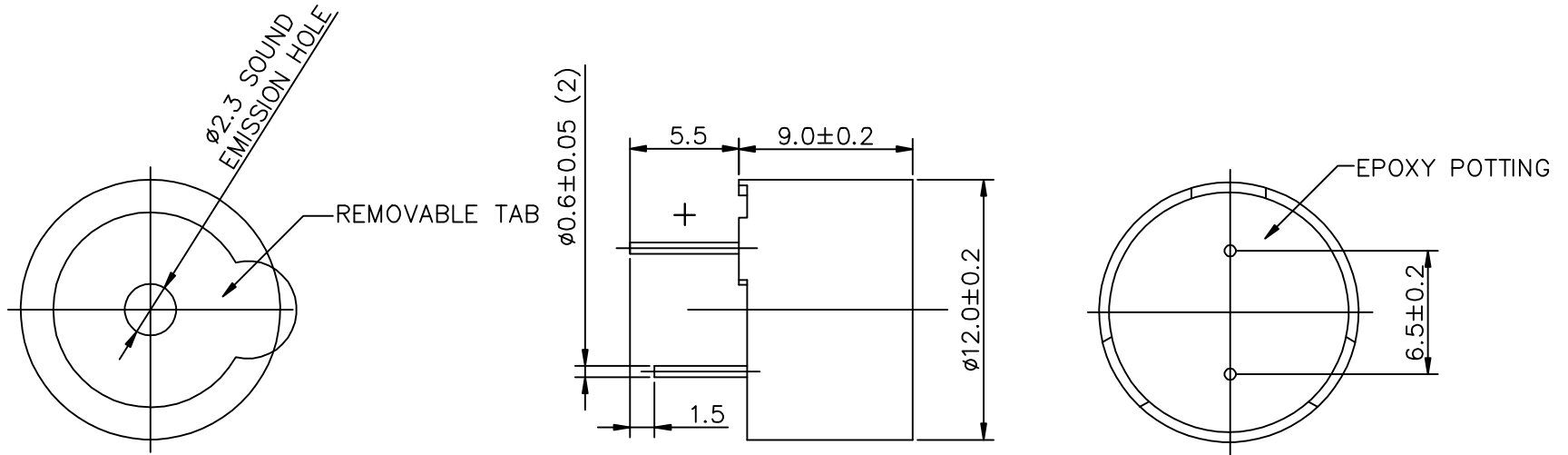


THIS DOCUMENT CONTAINS DATA PROPRIETARY TO PROJECTS UNLIMITED, INC. ANY USE OR REPRODUCTION, IN ANY FORM, WITHOUT PRIOR WRITTEN PERMISSION OF PROJECTS UNLIMITED, INC. IS PROHIBITED.
 ©2003, Projects Unlimited Inc.

SPECIFICATIONS

PARAMETERS	VALUES	UNITS
RATED VOLTAGE (SQUARE WAVE)	12	Vp-p
OPERATING VOLTAGE RANGE	6 ~ 15	Vp-p
RATED CURRENT (MAX)	40	mA
COIL RESISTANCE	140±14	OHM
MINIMUM SPL @ 10 CM	85	dba
RESONANT FREQUENCY	2,400±500	Hz
OPERATING TEMPERATURE	-30 ~ +105	°C
STORAGE TEMPERATURE	-40 ~ +110	°C
HOUSING MATERIAL	PBT	-
TERMINAL MATERIAL	Sn PLATED RED COPPER	-
WEIGHT	1.5	grams


REVISIONS			
LTR	DESCRIPTION	DATE	APPROVED
-	RELEASED FROM ENGINEERING	7/21/05	
A	REVISED BODY DIMENSIONS	11/27/07	R.W.



NOTES:

1. ALL DIMENSIONS ARE IN MILLIMETERS.
2. SPECIFICATION SUBJECT TO CHANGE OR WITHDRAWAL WITHOUT NOTICE.
3. THIS PART IS RoHS 2002/95/EC COMPLIANT.

FILE NAME
 AT-1224-TWT-4-R.DWG

UNLESS OTHERWISE SPECIFIED: DIMENSIONS ARE IN MILLIMETERS, TOLERANCES ARE ±0.5 AND ANGLES ARE ±3°.		 projects® unlimited Dayton, Ohio	
APPROVALS DRAWN <i>R.A.C.</i> 7/05 CHECKED <i>B.R.</i> 7/05 APPROVED <i>R.W.</i> 7/05		TRANSducer (ELECTRO-MECH) AT-1224-TWT-4-R DRAWING NO. AT-1224-TWT-4-R	
DO NOT SCALE DRAWING		SIZE A	SHEET 1 OF 1
SCALE: N.T.S.			